

KIT/XVR301-04G3/4* UAC-T112-F28



Key Features

XVR301-04G3

- Support H.265/H.264 video formats
- Support TVI, AHD, CVI, CVBS, IP cameras with adaptive access
- 4-channel BNC input
- Support 1-ch HDMI output, 1-ch VGA output at up to 1920*1080

UAC-T112-F28

- 2MP high quality image
- TVI/AHD/CVI/CVBS
- IR-cut filter with auto switch (ICR)
- Supports 180° horizontal flip, 180° vertical flip
- OSD configuration menu, easy to operate
- IP67 waterproof and dustproof design, high reliability
- OSD configuration menu in 11 languages

Specifications

Model	XVR301-04G3
Video/Audio Input	
Analog Video	4-ch, BNC

Input	
IP Video Input	2-ch(only IP up to 6ch), each channel up to 4MP
Supported Analog Camera Types	<p>Support AHD input: 5MP@20fps 4MP@30fps 1080P@30fps 720P@60fps</p> <p>Support TVI input: 5MP@20fps 4MP@30fps 1080P@30fps 720P@60fps</p> <p>Support CVI input: 5MP@20fps 4MP@30fps 1080P@30fps 720P@30fps</p> <p>Support CVBS input</p>
Audio Input	1-ch, RCA
Audio Compression	G.711U
Video/Audio Output	
VGA Output	1920x1080p/60Hz, 1920x1080p/50Hz, 1600x1200/60Hz, 1280x1024/60Hz, 1280x720/60Hz, 1024x768/60Hz
HDMI Output	1920x1080p/60Hz, 1920x1080p/50Hz, 1600x1200/60Hz, 1280x1024/60Hz, 1280x720/60Hz, 1024x768/60Hz
Audio Output	1-ch, RCA
Synchronous Playback	HD:2-ch SD:4-ch
Live view display	HDMI/VGA: 1/4/6/8/9
Two-way Audio	1-ch, RCA
Network	
Incoming Bandwidth	16Mbps (Up to 24Mbps after all analog channel conversion)
Outgoing Bandwidth	48Mbps
Remote Users	128
Protocols	TCP/IP, P2P, UPnP, DHCP, HTTP, HTTPS, DNS, DDNS, SMTP
Browser	IE(IE10/11) for Windows Firefox (version 52.0 and above) for Windows

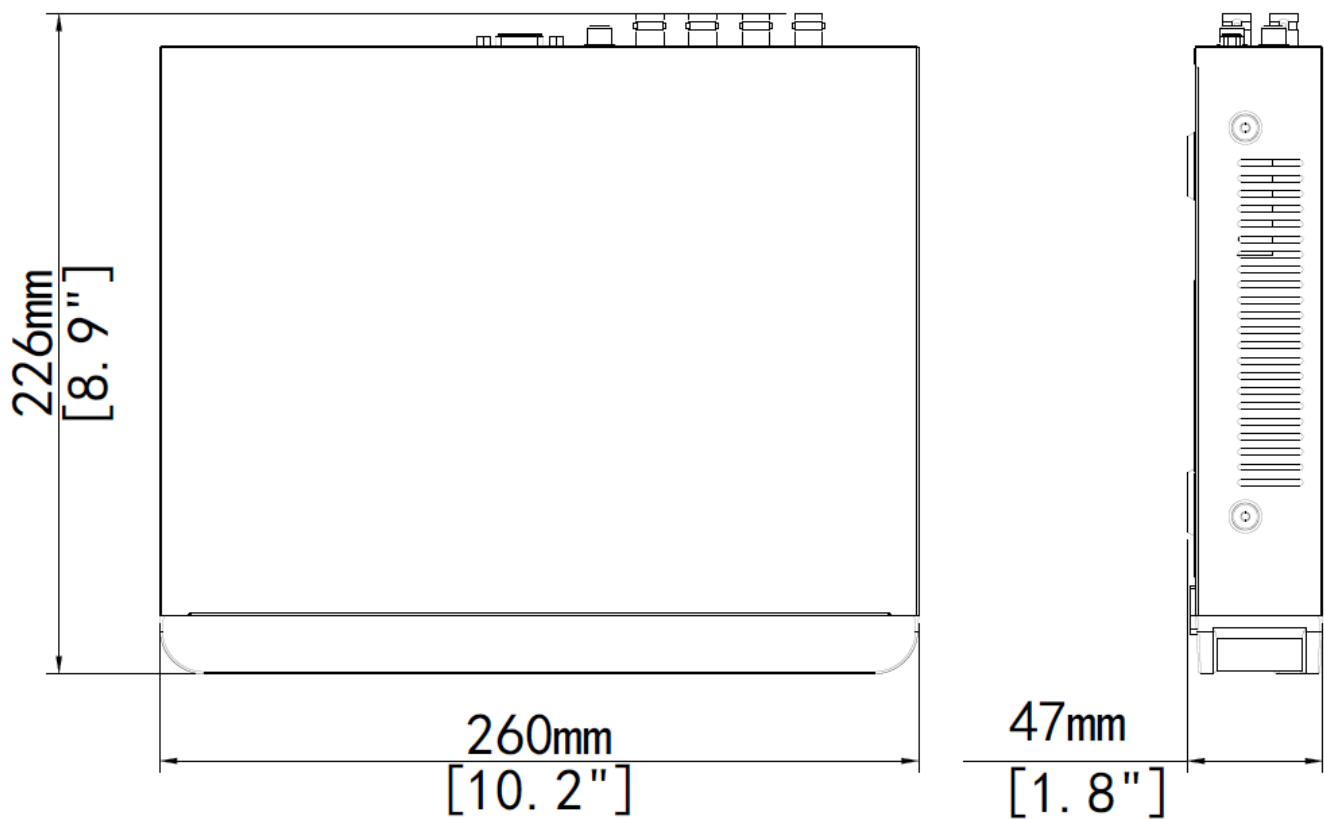
	Chrome(version 45 and above) for Windows Edge(version 79 and above) for Windows	
Encoding		
Recording Resolution	5MP Lite/4MP Lite/1080P/720P/CIF	
Recording Frame Rate	Main stream:	Sub stream:
	5MP Lite@12fps	D1@12fps
	4MP Lite@15fps	D1@15fps
	1080P@15fps	D1@15fps
	720P@25fps	D1@25fps
Audio Sample Rate	8KHz,16 bit per channel	
Audio Bit Rate	64Kbps per channel	
Decoding		
Capability	Analog: 2 x 5MP Lite@12, 2 x 4MP Lite@15, 2 x 1080P@15 IP: 1 x 4MP@30, 2 x 1080P@30	
Hard Disk		
SATA	1 SATA interface	
Capacity	Up to 8TB for each HDD (The maximum HDD capacity varies with environment temperature)	
General Alarm		
General Alarm	Motion detection	
Alert Alarm	IP Conflict, Network Disconnected, Disk offline, Disk Abnormal, Illegal Access, Hard Disk Space Low, Hard Disk Full, Recording/Snapshot Abnormal	
External Interface		
Network Interface	1 RJ45 10M/100M self-adaptive Ethernet Interface	
USB Interface	Rear panel: 2 x USB2.0	
General		
Power Supply	DC 12V Power Consumption: ≤ 8 W(without HDD)	
Working Environment	-10°C to + 55°C (+14°F to +131°F), Humidity ≤ 90% RH(non-condensing)	
Dimensions(W×D×H)	260mm ×226mm× 47mm (10.2" × 8.9"×1.8")	
Weight (without HDD)	≤1.1 Kg (2.42lb)	
Certification		

Certification	UL , CE , FCC , RoHS , WEEE
---------------	-----------------------------

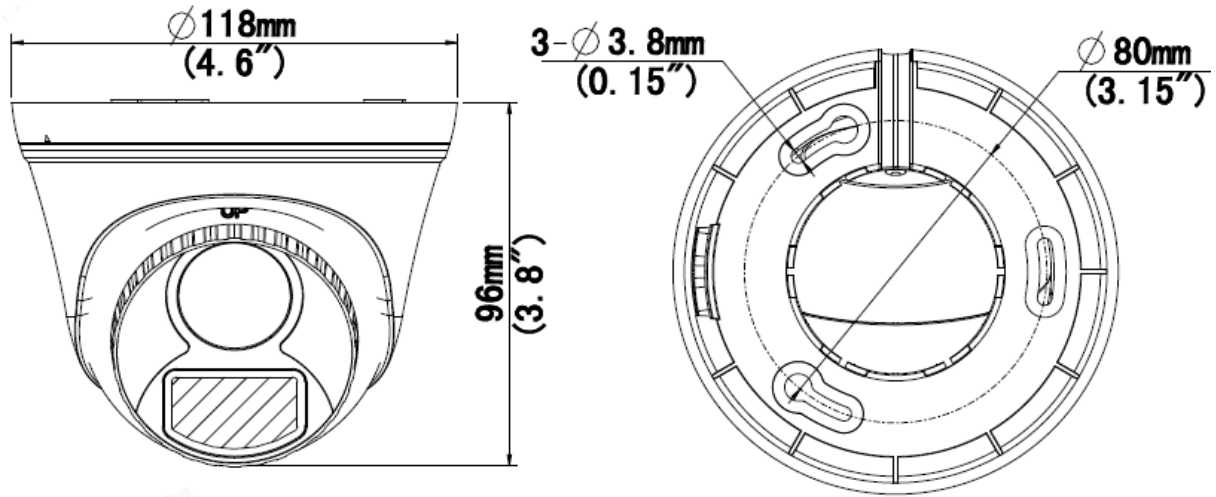
Model	UAC-T112-F28
Sensor	
Pixel	2MP
Size	1/3"
Minimum Illumination	0.02 lux (F2.0, AGC ON) 0.00 lux (IR on)
Lens	
Lens	2.8mm
Lens Mount	M12
Angle of View	H: 90.5° V: 49.6° D: 109.5°
Illuminator	
Illuminator	One IR illuminator
Illumination Distance	20m
Lifetime	≥60,000 hours
Image	
Resolution	1080P: 1920(H)×1080(V) 720P: 1280(H) ×720(V)
Frame Rate	TVI/AHD/CVI: 1080P@30fps, 1080P@25fps; 720P@30fps, 720P@25fps CVBS: PAL, NTSC
Shutter Time	PAL: 1/25s-1/50000s NTSC: 1/30s-1/50000s
Image	
Exposure Mode	4 modes: Global (default), BLC, HLC, DWDR
Day/Night	3 modes: Auto (default), Day, Night
Digital Noise Reduction	2D
White Balance	Two modes: Auto (default), Manual
WDR	DWDR
Smart IR	Support
Flip	Supports 180° horizontal flip, 180° vertical flip.
Interface	
Power	5.5mm power interface
Video Output	BNC, supports TVI/AHD/CVI/CVBS
Operating Environment	
Temperature	-30°C to 60°C(-22°F to 140°F)

Humidity	≤95% (RH, non-condensing)
Surge Protection	4KV
Ingress Protection	IP67
General	
Power	DC 12V(±25%), with reverse polarity protection and surge protection, Max 2.88W
Mount	Surface mount (default), optional backbox, wall mount bracket
Dimensions	Φ118mm×96mm(4.6" × 3.8") (diameter × height)
Material	Plastic
Weight	182g(0.401lb)
Certification	CB, CE, FCC

Dimensions

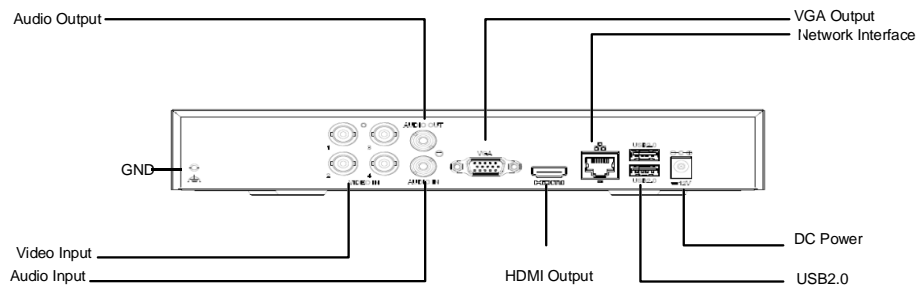


XVR301-04G3



UAC-T112-F28

Rear Panel



Zhejiang Uniview Technologies Co., Ltd.

Building No.10, Wanlun Science Park, Jiangling Road 88, Binjiang District, Hangzhou, Zhejiang, China

Email: overseasbusiness@uniview.com; globalsupport@uniview.com

<http://www.uniview.com>

©2023 Zhejiang Uniview Technologies Co., Ltd. All rights reserved.

* Product specifications and availability are subject to change without notice.