

## FPV-125

### Solar DC Mini Circuit Breaker (DC MCB)



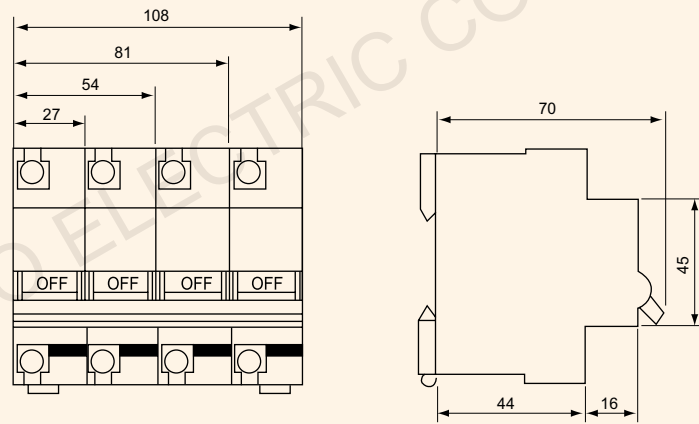
#### Application

FPV-125 high breaking capacity circuit breaker is specially for solar PV system. The current is from 63A to 125A and voltage up to 1000VDC. Standard according to IEC/EN60947-2.

#### Specifications

Rated Current	63,80,100,125A			
Rated Voltage	250VDC/550VDC/750VDC/1000VDC			
Electrical Life	6000 Times			
Mechanical Life	20000 times(C.O.)			
No. of Pole	1P, 2P, 3P, 4P			
Weight(G)	1P	2P	3P	4P
	180	360	540	720

#### Dimensions



#### Installation

