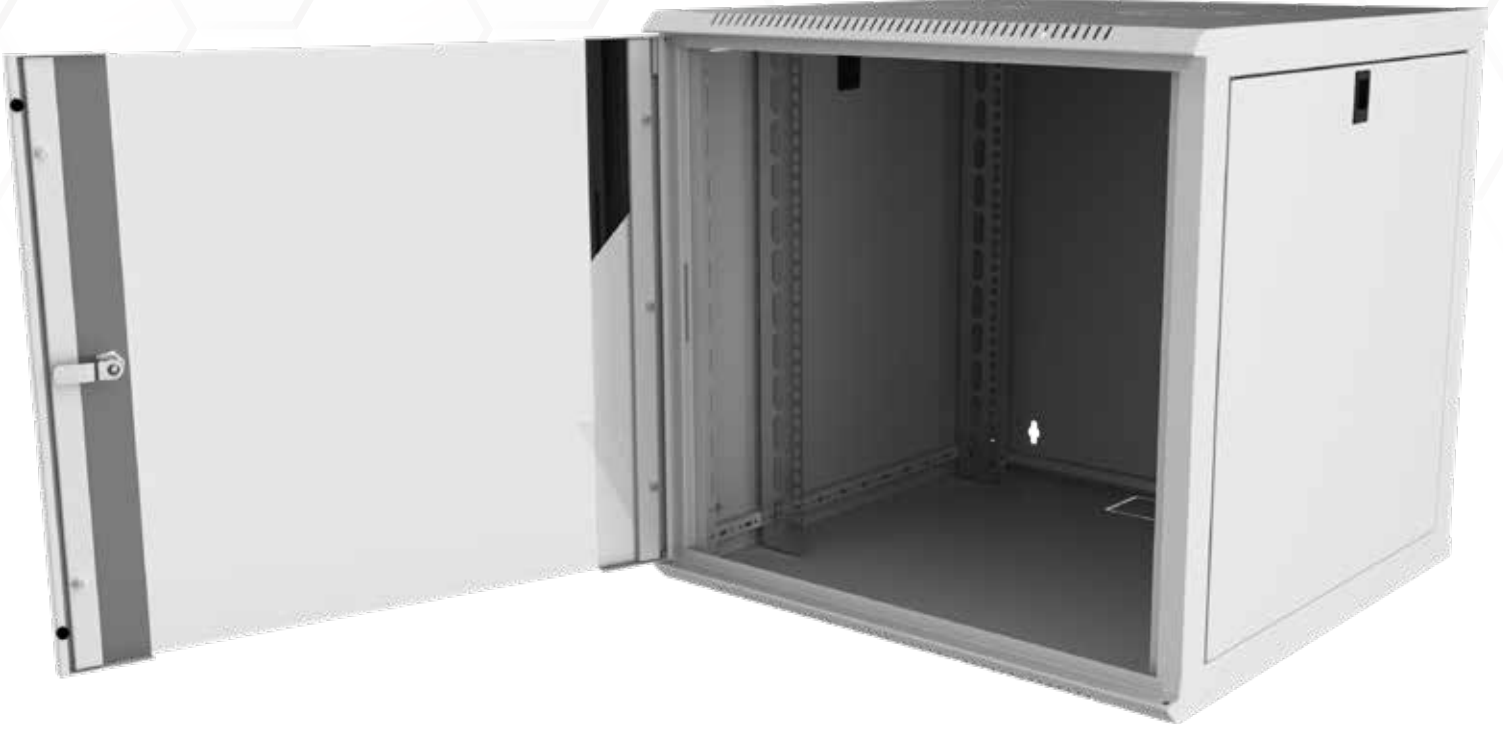


# WTC COM-BOX W-600 D-600



## DETAIL

### FEATURES & SPECIFICATIONS

The new COM-BOX wall type cabinets have a loading capacity of 80 kg when mounted on the wall. 2 pieces rails are used in D=450mm cabinets while 4 pieces of rails are used in D=600mm cabinets. The new COM-BOX has the width of 565mm and depths of 450mm and 600mm. The size alternatives are offered as 6U, 7U, 9U, 12U, 16U and 20U.

### DIMENSIONS

Width	600
Height	7-9-12-16U
Depth	600

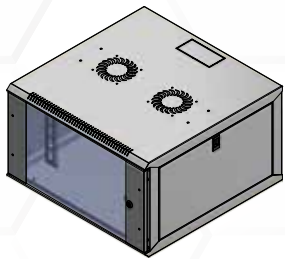
### MECHANICAL DATA

Standard Configuration	Epoxy Polyester
Color Code	RAL7035 and RAL9005
Material	Sheet Metal
Loading Capacity	80kg

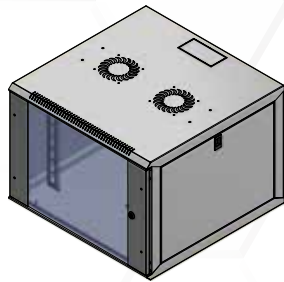
### THICKNESS

Enclosure & Door	1.2 mm
Mounting Plate / Mounting Rail 19"	1 mm
Side Covers	0.8 mm
Profiles Support Part	1.2 mm

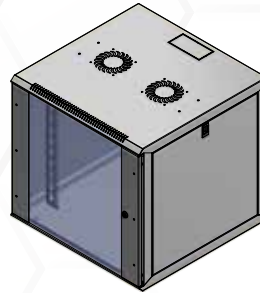
# TECNICAL DRAWING



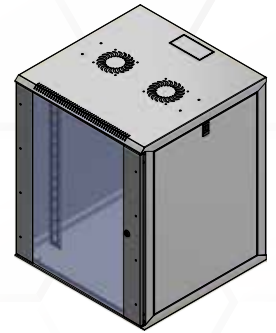
7U



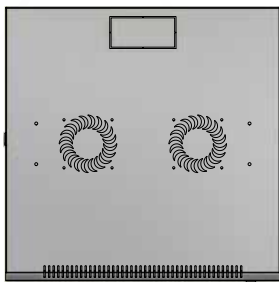
9U



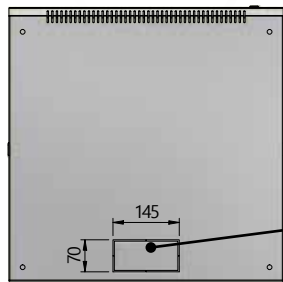
12U



16U

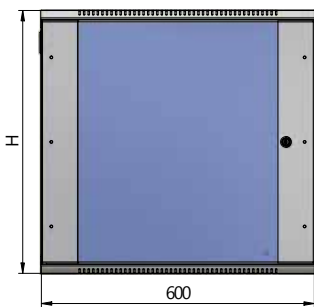


Top View

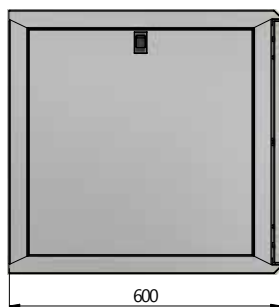


Bottom View

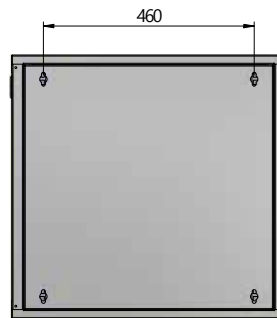
Cable Hole  
70x145mm  
Optional



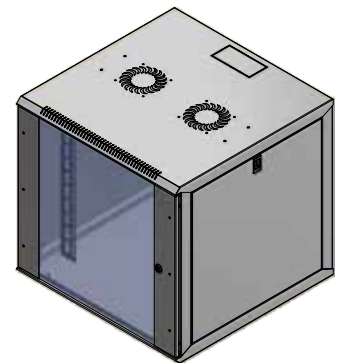
Front View



Side View



Rear View



Isometric View

# PRODUCT ORDER

Product Code	Product Name	H dim. (mm)	Weight (kg)
MR.WTC07U66DE.02	WALL TYPE COM-BOX W-600 D-600 7U	353	13.5
MR.WTC09U66DE.02	WALL TYPE COM-BOX W-600 D-600 9U	442	16.5
MR.WTC12U66DE.02	WALL TYPE COM-BOX W-600 D-600 12U	576	21.4
MR.WTC16U66DE.02	WALL TYPE COM-BOX W-600 D-600 16U	753	28

○ XX Color Code, 02 Light Grey RAL 7035  
● XX Color Code, 01 Black RAL9005

# PRODUCT CERTIFICATE



TSE 61000 587 - 1

