

Spec No.: ZTT 58389

Revision: 3

Date: Sep. 18, 2016



TECHNICAL SPECIFICATION

Fig.8 Drop Cable



Designer

June Zhu

Senior Technical Manager

Approver

Felix Chen

Chief Technical Engineer

Jiangsu Zhongtian Technology Co., Ltd.

No. 5 Zhongtian Road, NEATA, Nantong City, Jiangsu province, China Tel: +86-513-8919 1138 Fax: +86-513- 8359 9670

1. General

1.1 Scope

This listed specification covers the design requirements and performance standard for the supply of optical fiber cable in the industry. It also includes ZTT premium designed cable with optical, mechanical and geometrical characteristics.

Cable type	Application
OFC-2G.657A1-FDC-S3	Indoor and outdoor installation

1.2 Cable Description

ZTT cable possesses high tensile strength and flexibility in compact cable sizes. At the same time, it provides excellent optical transmission and physical performance.

1.3 Quality

Excellent quality control is achieved through intense in-house quality check and stringent audit acceptance by ISO 9001.

1.4 Reliability

Initial and periodic product qualification tests for performance and durability are performed rigorously to ensure product reliability.

1.5 Reference

The cable which ZTT offered are designed, manufactured and tested according to international standards as follows:

IEC 60793-1	Optical fiber Part 1: Generic specifications
IEC 60793-2	Optical fiber Part 2: Product specifications
IEC 60794-2	Optical fiber cables-part 2 indoor cables- sectional specification
ITU-T G.650	Definition and test methods for the relevant parameters of single-mode fibers
ITU-T G.657	Characteristics of a bending-loss insensitive single-mode optical fiber
EIA/TIA 598	Color code of fiber optic cables

2. Optical Fiber

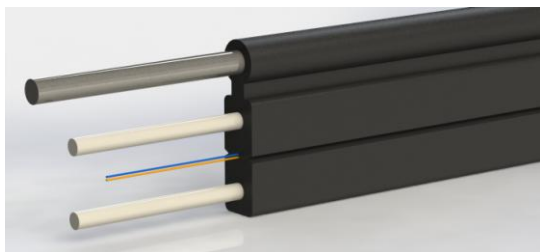
The optical fiber is made of high pure silica and germanium doped silica. UV curable acrylate material is applied over fiber cladding as optical fiber primary protective coating. The detail data of optical fiber performance are shown in the following table.

G.657A1 fiber

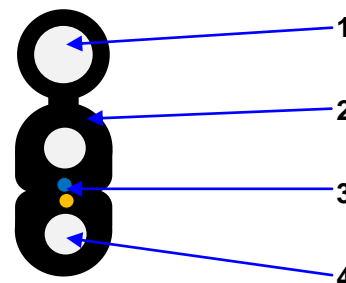
Category	Description	Specifications	
		Before cable	After cable
Optical Specifications	Attenuation @1310 nm	≤0.33 dB/km	≤0.36dB/km(Max.) ≤0.34dB/km(Average)
	Attenuation @1550 nm	≤0.21 dB/km	≤0.25dB/km(Max.) ≤0.22dB/km(Average)
	Zero Dispersion Wavelength	1300~1324 nm	
	Zero Dispersion Slope	≤ 0.092 ps/nm ² ·km	
	Macro bending Loss		
	(10 turns; Φ30 mm) @1550 nm		≤ 0.2 dB
	(10 turns; Φ30 mm) @1625 nm		≤ 0.5 dB
	(1 turns; Φ20 mm) @1550 nm		≤ 0.3 dB
(1 turns; Φ20 mm) @1625 nm		≤ 1.0 dB	
Mode Field Diameter @1310 nm		9.0±0.4μm	
Dimensional Specifications	Cladding Diameter	125±0.7μm	
	Core/clad concentricity error	≤0.5μm	
	Cladding Non-Circularity	≤1.0%	
Mechanical Specifications	Proof stress	≥1.05%	

3. CABLE STRUCTURE

3.1 Cable Type: OFC-2G.657A1-FDC-S3



Picture is only for reference



Technical Characteristics

- With excellent mechanical and environmental properties
- Has good bending performance, easy to install

Construction:

1. Messenger wire (steel wire)
2. Outer sheath (LSZH black)
3. Fiber
4. Strength member (Steel wire)

Dimension and Properties

Physical	Fiber count	2 G.657A1
	Cable OD	2.0±0.2mm*5.0±0.5mm
	Cable weight	22kg/km±15%
	Operation temperature range	-30 deg C to + 70 deg C
	Installation temperature range	-10 deg C to + 60 deg C
	Transport and storage temperature range	-30 deg C to + 70 deg C
Mechanical	Max. tensile load	1000N
	Crush resistance	Short term:1000 N/10cm; long term: 300 N/10cm
	Minimal installation bending radius	30mm
	Minimal operation bending radius	15mm

Color code scheme:

Fiber color: blue and orange

4. Test Requirements

Approved by various professional optical and communication product institution, ZTT also conduct various in-house testing in its own Laboratory and TestCenter. She also conduct test with special arrangement with the Chinese Government Ministry of Quality Supervision & Inspection Center of Optical Communication Products (QSICO). ZTT possess the technology to keep its fiber attenuation loss within Industry Standards.

The cable is in accordance with applicable standard of cable and requirement of customer. The following test items are carried out according to corresponding reference.

Routine tests of optical fiber

Mode field diameter	IEC 60793-1-45
Mode field Core/clad concentricity	IEC 60793-1-20
Cladding diameter	IEC 60793-1-20
Cladding non-circularity	IEC 60793-1-20
Attenuation coefficient	IEC 60793-1-40
Chromatic dispersion	IEC 60793-1-42
Cable cut-off wavelength	IEC 60793-1-44

Test list

4.1 Tension Loading Test

Test Standard	IEC 60794-1-2 E1
Sample length	No less than 50 meters
Load	1000N
Duration time	1 minute
Test results	Additional attenuation: ≤ 0.1 dB/km
	No damage to outer jacket and inner elements

4.2 Crush/Compression Test

Test Standard	IEC 60794-1-2 E3
Load	1000N/10cm
Duration time	1 minute
Test number	3
Test results	Additional attenuation: ≤ 0.05 dB
	No damage to outer jacket and inner elements

4.3 Bending Test

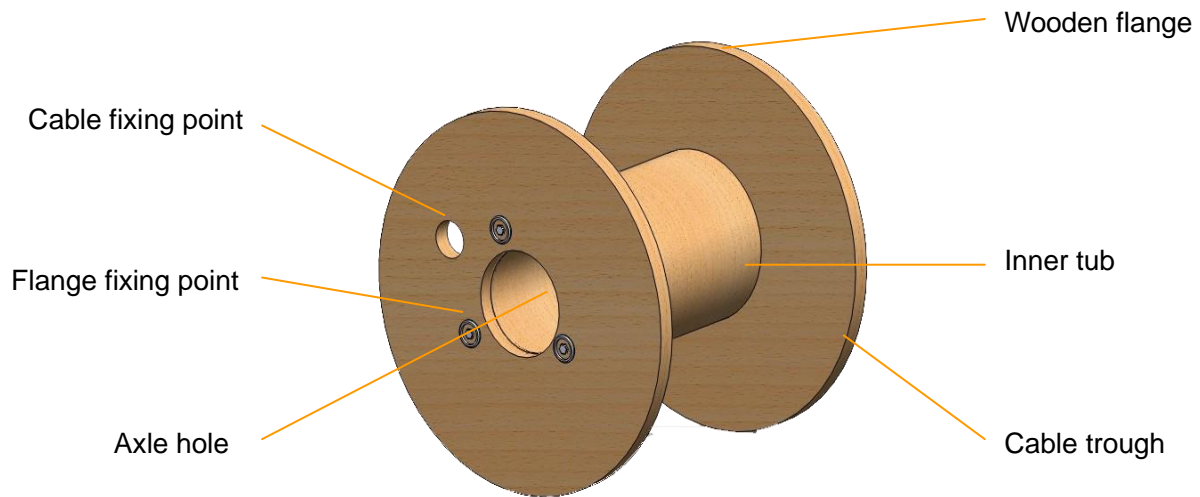
Test Standard	IEC 60794-1-2 E11
Bending radius	30mm&15mm
Turn number	4
Cycle number	3
Test result	Additional attenuation: ≤ 0.05 dB/km
	No damage to outer jacket and inner elements

4.4 Temperature cycling Test

Test Standard	IEC 60794-1-2 F1
Temperature step	+20°C → -30°C → +70°C → -30°C → +70°C → +20°C
Time per each step	12 hrs
Test result	Attenuation variation for reference value (the attenuation to be measured before test at +20±3°C) ≤ 0.1 dB/km

5. Packing and Drum

5.1 ZTT cables are packed in carton, coiled on Bakelite & wooden drum. During transportation, right tools should be used to avoid damaging the package and to handle with ease. Cables should be protected from moisture; kept away from high temperature and fire sparks; protected from over bending and crushing; protected from mechanical stress and damage.



The Bakelite Drum

5.2 The color of cable marking is white. (The printing shall be carried out at interval of 1 meter on the outer sheath of cable) The inner end of cable is then sealed with heat shrinkable end cap to prevent ingress of water and is made available for testing. The outer end of cable is equipped with heat shrinkable end cap. Outer sheath marking legend can be changed according to user's requests.

5.3 Indoor cable packing

Bakelite & wooden drum

Strong wooden batten protection