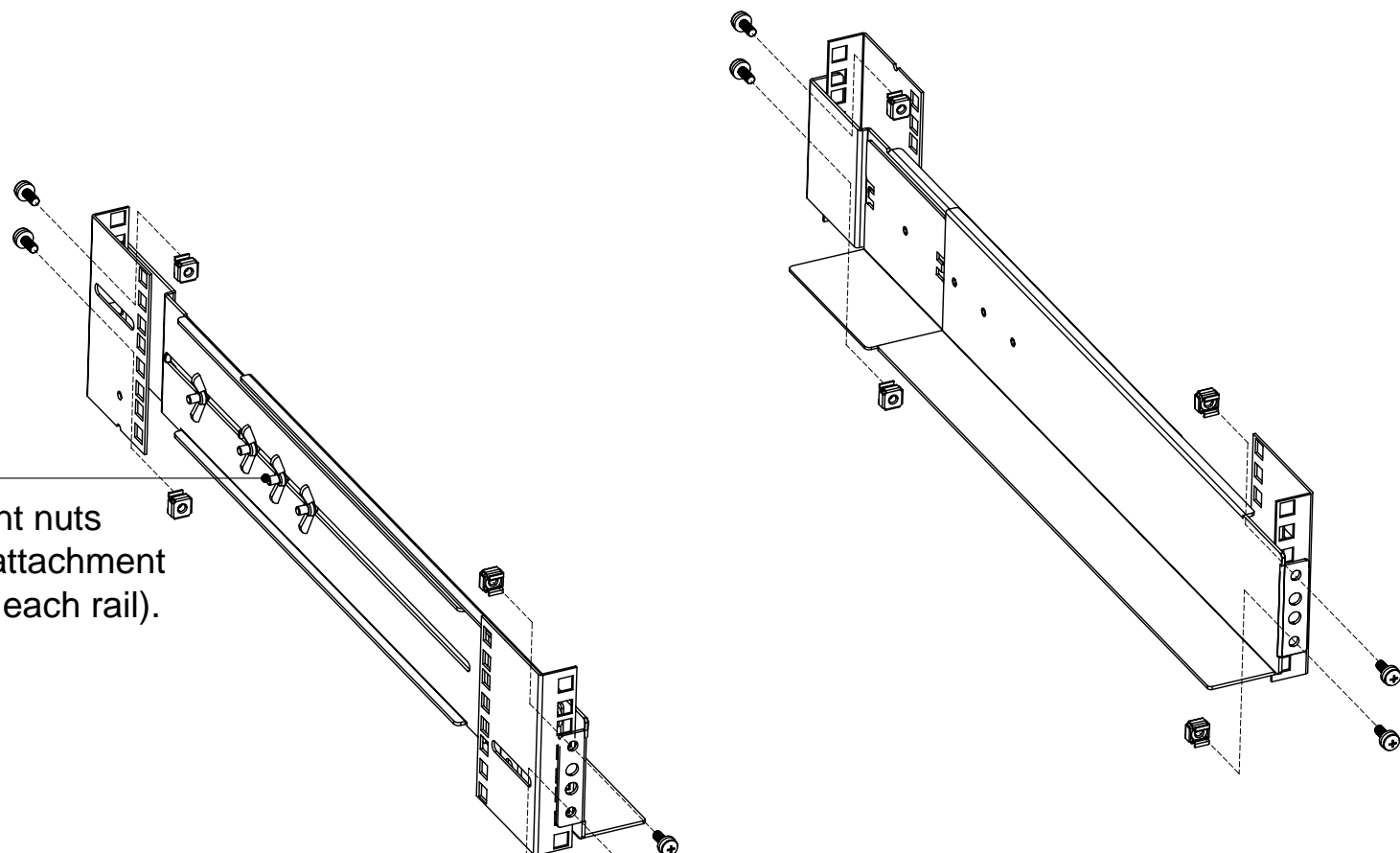


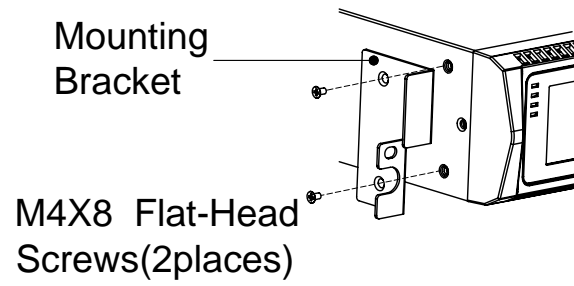
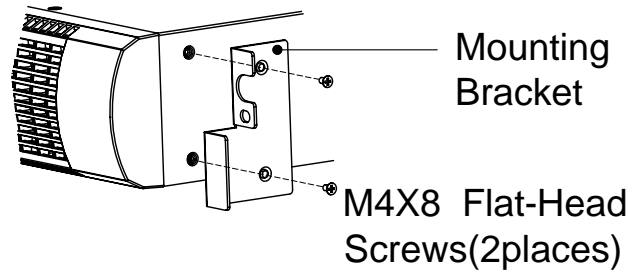
Tighten
adjustment nuts
after rail attachment
(4 places each rail).

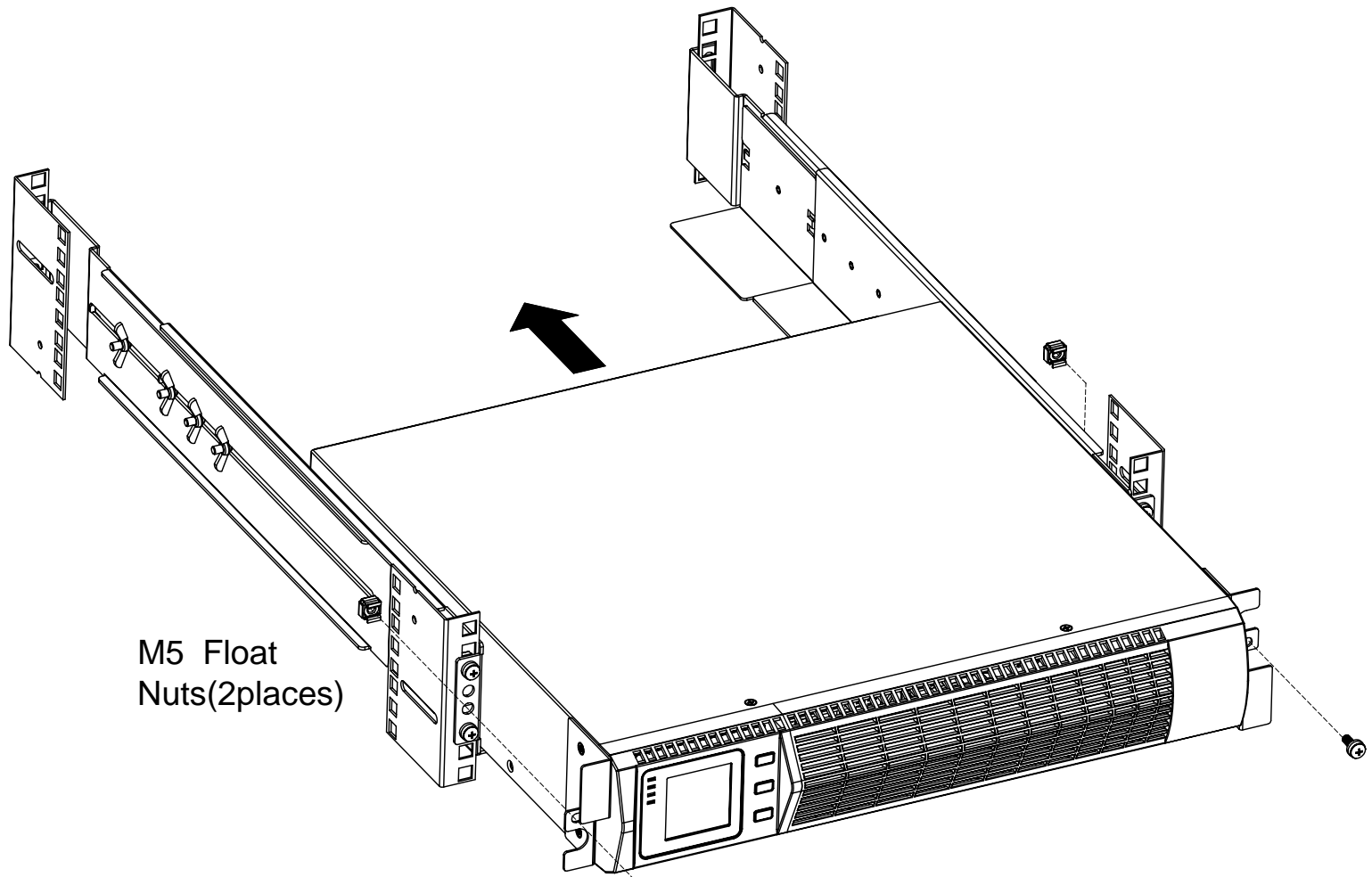
M5 Float
Nuts(8places)

M5X12 Pan-Head
Screws(8places)

Front Of Rack







M5 Float
Nuts(2places)

M5X12 Pan-Head
Screws(2places)